

???? ??????

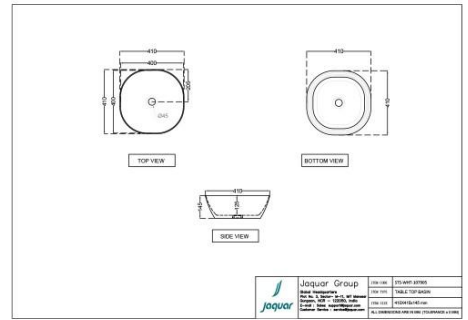




STS-WHT-107905

??????? ???? ???????

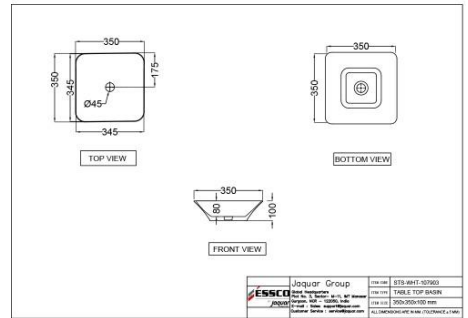
Price: 2850.00 INR



STS-WHT-107903

??????? ???? ???????

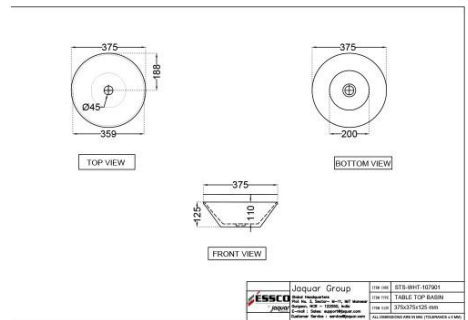
Price: 2475.00 INR



STS-WHT-107901

??????? ???? ???????

Price: 2525.00 INR

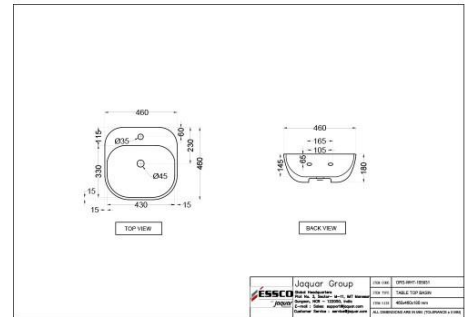




ORS-WHT-105931

?????? ?????

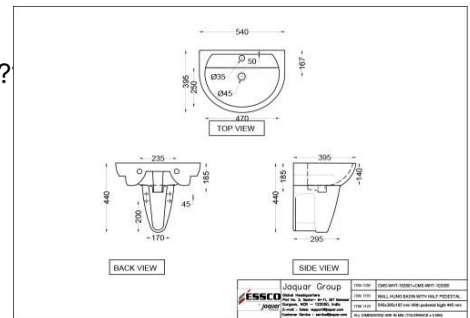
Price: 3150.00 INR



CMS-WHT-103801

???? ??? ?????? ????? ????? ?????????

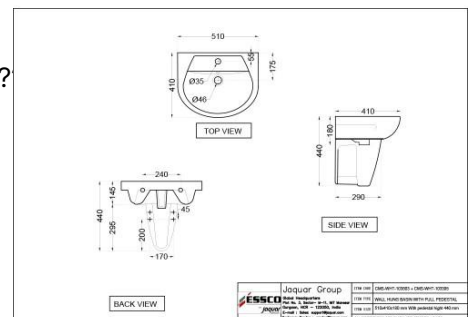
Price: 2775.00 INR



CMS-WHT-103803

???? ??? ?????? ????? ?????? ?????????

Price: 2575.00 INR

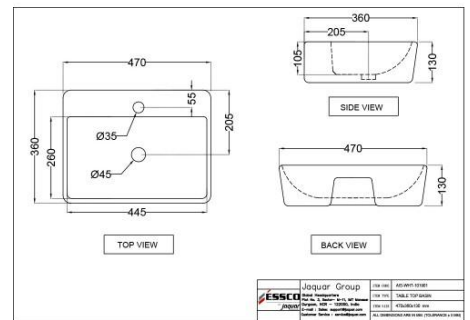




AIS-WHT-101901

??????? ???? ???????

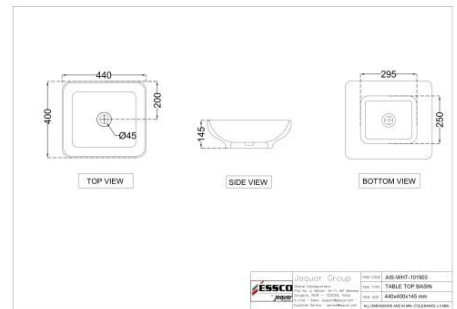
Price: 2675.00 INR



AIS-WHT-101903

??????? ???? ???????

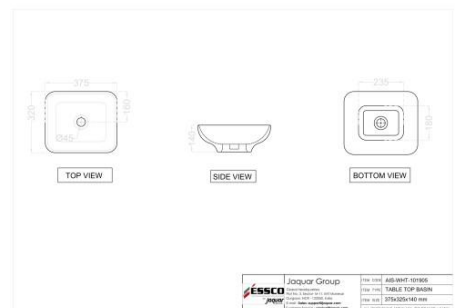
Price: 3100.00 INR



AIS-WHT-101905

??????? ???? ???????

Price: 2750.00 INR

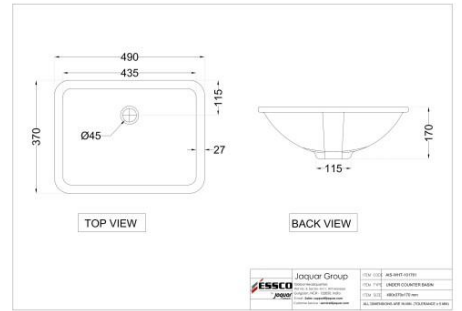




AIS-WHT-101701

?????? ????????

Price: 2250.00 INR



AIS-WHT-101301

Wall Hung Basin with Full Pedestal

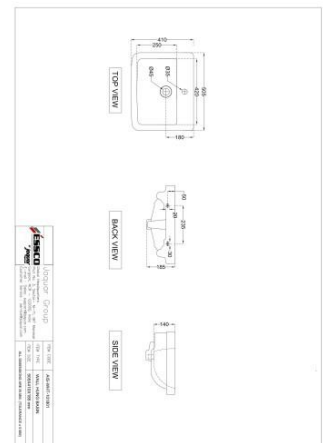
Price: 1350.00 INR



AIS-WHT-101801

???? ??? ?????? ????? ?????? ??????????

Price: 2000.00 INR

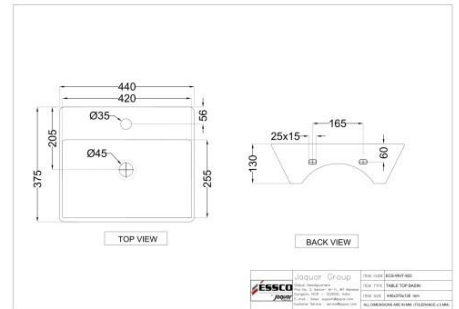




ECS-WHT-933

?????? ???? ???? ??

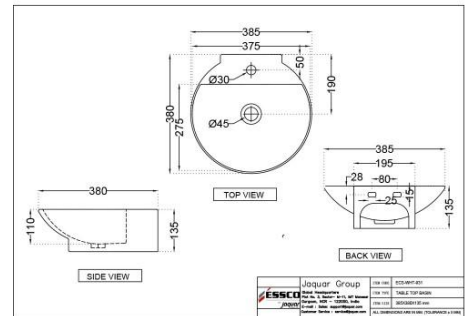
Price: 2575.00 INR



ECS-WHT-931

?????? ???? ???? ??

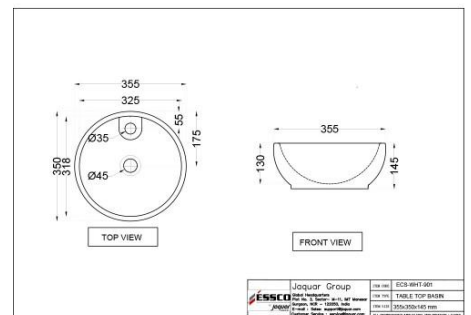
Price: 2250.00 INR



ECS-WHT-901

?????? ???? ???? ??

Price: 2000.00 INR

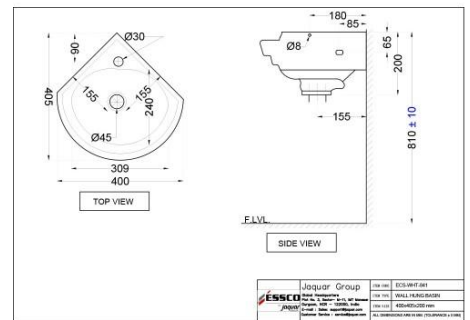




ECS-WHT-841

???? ?? ??????? ???????

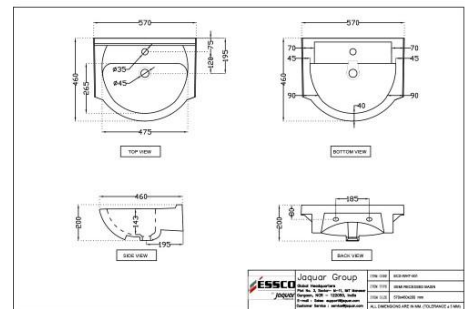
Price: 1250.00 INR



ECS-WHT-501

???? ??????? ???????

Price: 2650.00 INR



ECS-WHT-301

Wall Hung Basin with Full Pedestal

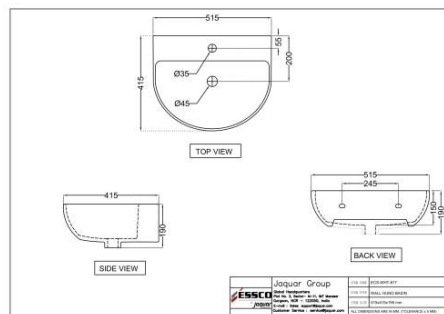
Price: 1225.00 INR



ECS-WHT-817

???? ?? ???????

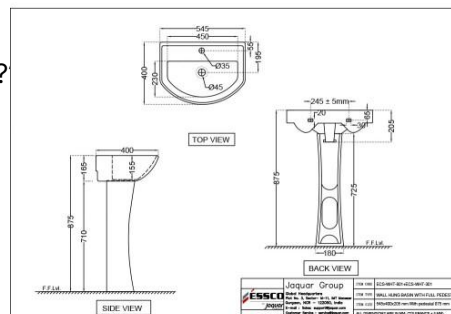
Price: 1825.00 INR



ECS-WHT-801

???? ?? ??????? ????? ?????? ??????????

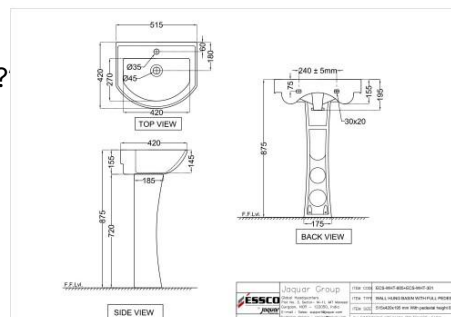
Price: 1850.00 INR



ECS-WHT-805

???? ?? ??????? ????? ?????? ??????????

Price: 1525.00 INR

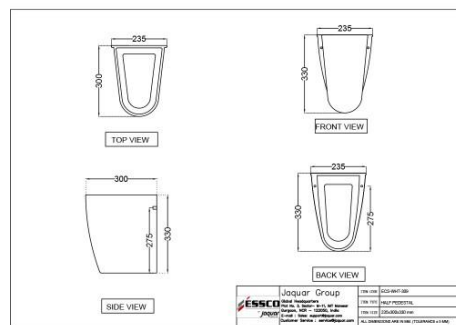




ECS-WHT-309

???????? ??????????

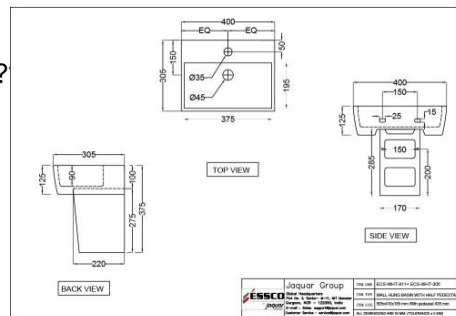
Price: 1225.00 INR



ECS-WHT-811

???? ??? ?????? ??? ?????? ??????????

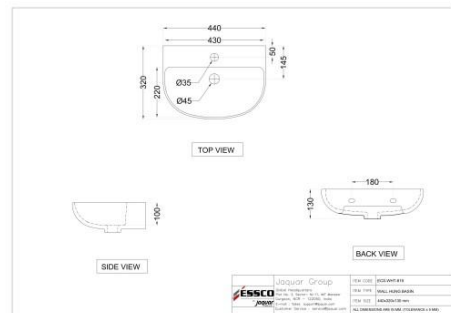
Price: 1400.00 INR



ECS-WHT-819

???? ??? ??????

Price: 1375.00 INR

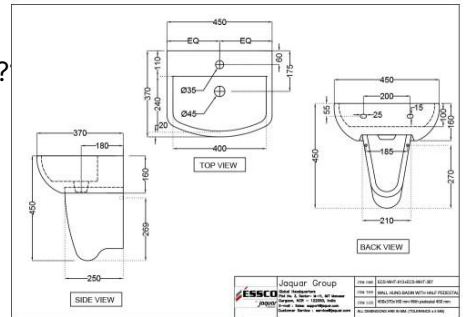


???? ??????

ECS-WHT-813

???? ?? ?????? ??? ???? ??????????

Price: 1525.00 INR



Disclaimer

- Jaquar reserves the right at its sole discretion, to change/modify/alter any product specification at any time without notice, where improvement can be effected in design, development and dimensions.
- Although the information shown in this catalogue is updated to the extent possible but the same may vary. It is advisable to consult our local representative or check in a period manner for latest technical and other updates.
- The prices are subject to change without notice and those ruling at the time of supply will be charged.
- Colours & sizes of product images shown in the Website may vary in reality