



Introducing
Ultra
Water Heaters
Ultra safe. Ultra efficient.



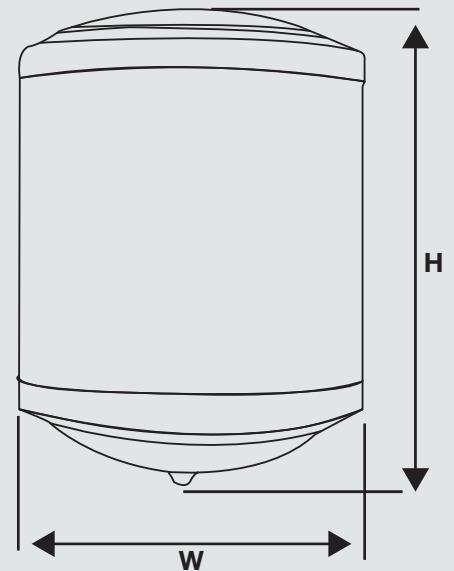
PRODUCT SPECIFICATIONS

Details

Volume (L)	6/10/15/25
Rated Wattage	2 Kw
Voltage/Frequency (V/Hz)	230V / 50Hz
Temperature Range	25°C to 75°C
Working Pressure (Mpa)	0.8
Inlet/Outlet Connection (Inch)	1/2
Warranty	5 Years on Tank 2 Years on Heating Element 2 Years on Other Parts

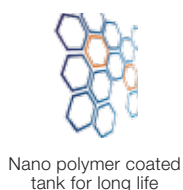
Product Dimensions (mm)

	H	W
6 Litres	375	285
10 Litres	475	285
15 Litres	440	380
25 Litres	580	380



Essco is proud to announce the addition of yet another range to its ever-growing product portfolio of faucets, showers and bath accessories. **Ultra water heater is available in 6L, 10L, 15L and 25L capacities.** These powerful water heaters are designed using the latest and most cutting-edge technology that ensures high durability and quality performance without compromising on affordability, which is one of the USPs of the brand Essco.

Key features



5 years on tank
2 years on element
2 years on other components