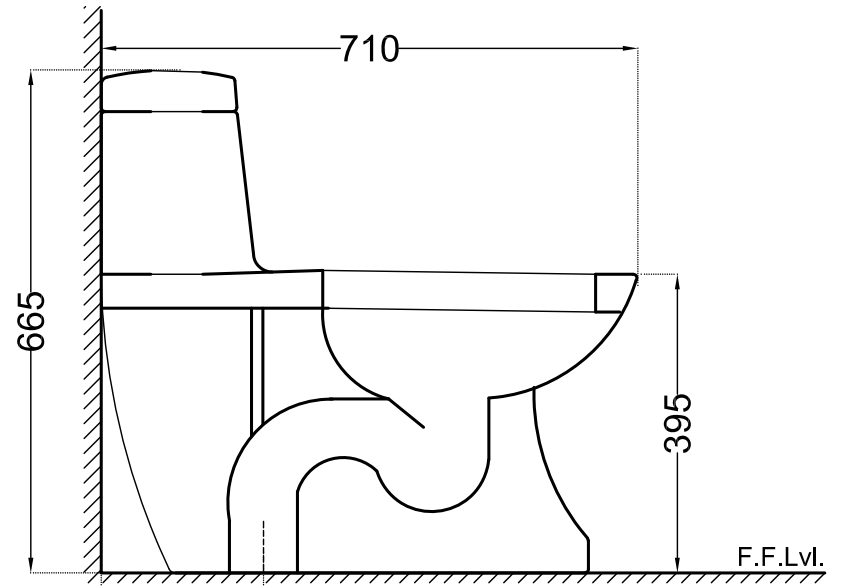


TOP VIEW



220 S-TRAP

SIDE VIEW