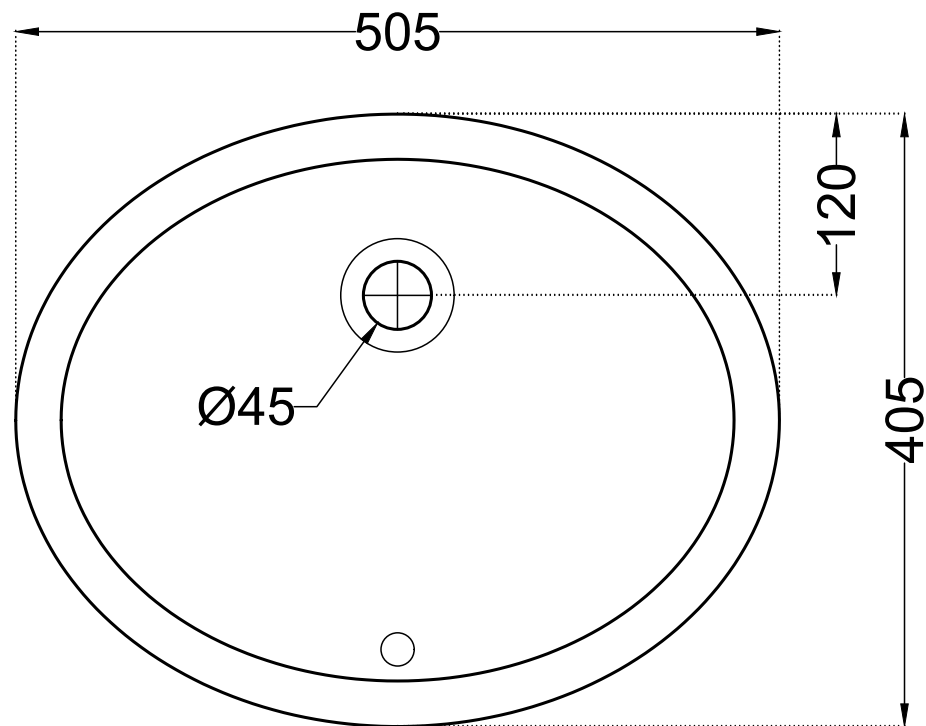
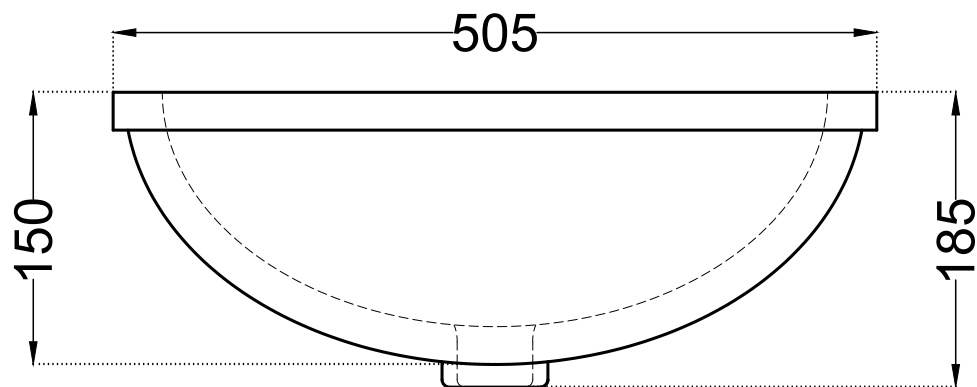


ECS-WHT-703



TOP VIEW



SIDE VIEW

ALL DIMENSIONS ARE IN
MM. (TOLERANCE ± 5 MM)