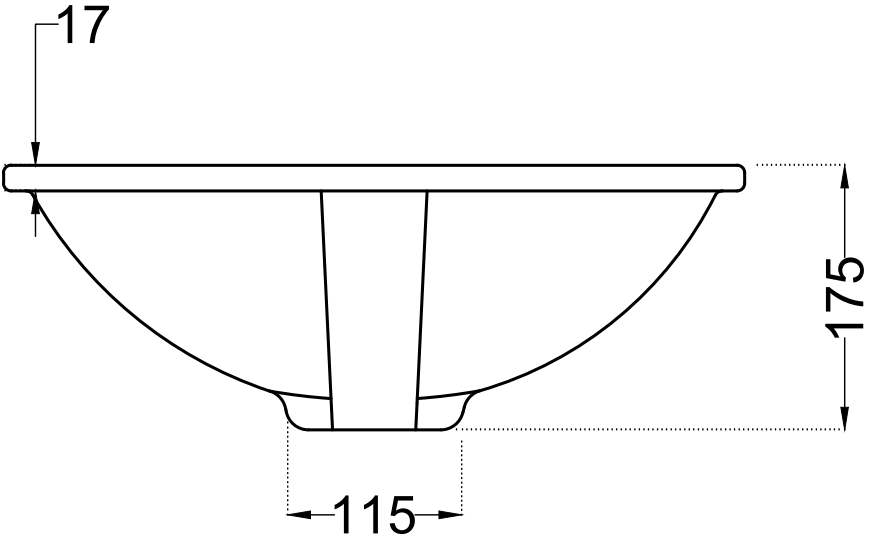


TOP VIEW



BACK VIEW

ALL DIMENSIONS ARE IN MM. (TOLERANCE ± 5 MM)