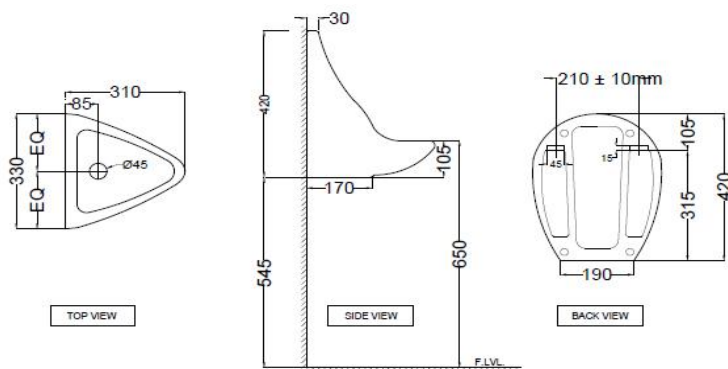


SPECIFICATION DATA SHEET
PRODUCT DETAILS

Manufacturer :	ESSCO	Type:	Urinal
Range	Essco	Colour:	White
Outlet	Horizontal	Material:	Ceramic - Vitreous China
Technical Details:	ID of waste outlet hole 45 ϕ +2 -1mm	BOM doc.NO.	ESW/02/2018/027
Horizontal distance between the Wall and the centre line of the waste outlet hole \leq 85 mm			

ARTICLE NAME: WALL HUNG URINAL

TECHNICAL DIMENSIONS

 ALL DIMENSIONS ARE IN MM.
 (TOLERANCE \pm 5 MM)

PRODUCT DIMENSIONS

Length (mm)	Width (mm)	Height (mm)	Net weight (kg)
330	310	420	8

USP
ACCESSORIES PROVIDED

fixing screw

ZPS-WHT-FB14

CARE AND CLEANING GUIDELINES

- ★ Vitreous china sanitary ware products are fragile in nature and need to be handled with care (to avoid personal injury) at all times during its storage, handling, installation and use thereafter.
- ★ The product is heavy and it is recommended that two persons hold it while it is being fixed.
- ★ Carefully inspect the new product for damage before installation.
- ★ Risk of product damage. Over tightening may cause breakage or chipping of vitreous china.
- ★ Risk of external leakage. Do not lift or rock the bowl after placement.
- ★ Always test your cleaning solution on an inconspicuous area on the product before applying it to the entire surface.
- ★ Do not allow cleaners to sit or soak on the product.
- ★ Use a soft, dampened sponge or cloth to clean. Never use abrasive material like a bristle brush or scouring pad.
- ★ Wipe surfaces clean and rinse completely with water immediately after applying cleaners.
- ★ Clean Chrome, stainless steel surfaces once a week. Do not use cleaners containing chloride on chrome, stainless steel. If used, rinse the surface immediately to prevent corrosion.
- ★ Wherever chrome plating is used on the products, use only warm water to clean and then dry with a soft cloth.

CERTIFICATION

Compliance : IS 2556.4:2004/IS 2556.1:1994 BS EN 14688 :2015/CE



All technical dimensions are in accordance to British standards, Bureau of Indian Standards

PACKAGING DETAIL

Length (mm)	Width (mm)	Height (mm)	Weight(kg)
345	310	430	8.5

LOADING PALLET DETAIL

Length (mm)	Width (mm)	Height (mm)	Height (mm)
1140	1140	2285	20


 Prepared By
 Designer
 Date

 Controlled By
 Quality control

 Verified By
 Product Manager

 Approved By
 Sanitaryware Head

Revision/Version

1

Plotter Updated on

Month

09-Jul

Year

2018