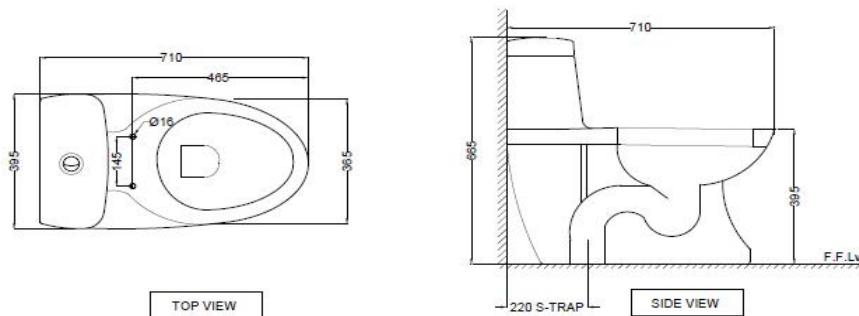


SPECIFICATION DATA SHEET
PRODUCT DETAILS

Manufacturer :	ESSCO	Type:	Single piece-WC (S trap)
Range	Cosmo	Outlet	Horizontal
Colour:	White	Material:	Ceramic - Vitreous China
Technical Details:	External diameter of outlet \varnothing 80 mm	BOM doc.NO.	ESW/02/2018/008a
	Horizontal distance between the wall line and the centre line of the waste outlet hole \leq 220 mm		

ARTICLE NAME: SINGLE PIECE - WC

TECHNICAL DIMENSIONS

 ALL DIMENSIONS ARE IN MM.
 (TOLERANCE \pm 5 MM)

PRODUCT DIMENSIONS

Length (mm)	Width (mm)	Height (mm)	Net weight (kg)
395	710	665	37

USP

Packed with Wax Seal, Floor Fixing Screws

ACCESSORIES PROVIDED

PP Normal Close Seat cover	ECS-WHT-103N
Floor fixing screw	ZPS-SNS-FB01
Cistern Fittings	ZCF-WHT-FT002

CARE AND CLEANING GUIDELINES

- ★ Vitreous china sanitary ware products are fragile in nature and need to be handled with care (to avoid personal injury) at all times during its storage, handling, installation and use thereafter.
- ★ The product is heavy and it is recommended that two persons hold it while it is being fixed.
- ★ Carefully inspect the new product for damage before installation.
- ★ Risk of product damage. Over tightening may cause breakage or chipping of vitreous china.
- ★ Risk of external leakage. Do not lift or rock the bowl after placement.
- ★ Always test your cleaning solution on an inconspicuous area on the product before applying it to the entire surface.
- ★ Do not allow cleaners to sit or soak on the product.
- ★ Use a soft, dampened sponge or cloth to clean. Never use abrasive material like a bristle brush or scouring pad.
- ★ Wipe surfaces clean and rinse completely with water immediately after applying cleaners.
- ★ Clean Chrome, stainless steel surfaces once a week. Do not use cleaners containing chloride on chrome, stainless steel. If used, rinse the surface immediately to prevent corrosion.
- ★ Wherever chrome plating is used on the products, use only warm water to clean and then dry with a soft cloth.

CERTIFICATION

Compliance : IS 2556.2:2004, IS 2556.1:1994 , EN 997 :2012+A1, BS EN 14124:2004/CE



All technical dimensions are in accordance to British standards, Bureau of Indian Standards

PACKAGING DETAIL

Length (mm)	Width (mm)	Height (mm)	Gross Weight(kg)
730	390	690	39.4

LOADING PALLET DETAIL

Length (mm)	Width (mm)	Height (mm)	no of pieces on pallet
1140	1140	2285	16



Prepared By Designer Date	Controlled By Quality control	Verified By Product Manager	Approved By Sanitaryware Head
Revision/Version	1	Plotter Updated on	Month
		17-Aug	Year
			2019