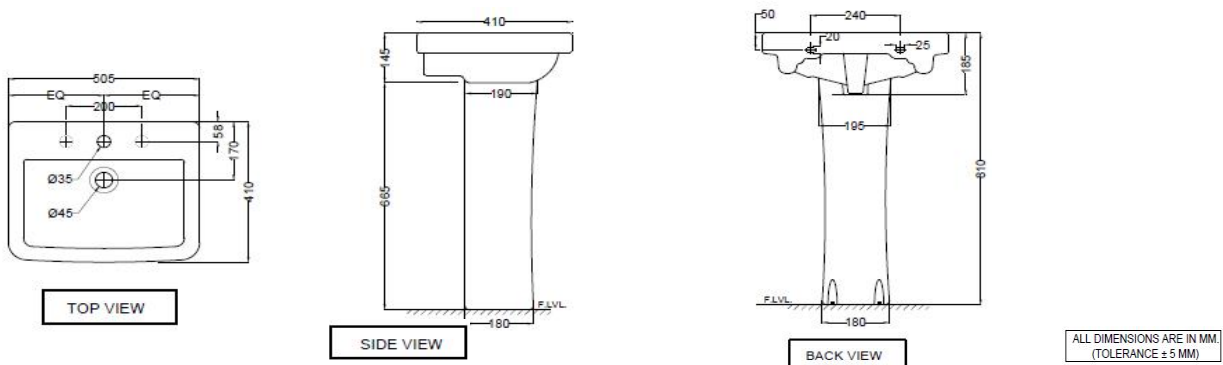


SPECIFICATION DATA SHEET
PRODUCT DETAILS

Manufacturer :	ESSCO	Type:	Wall Hung Basin with full Pedestal		
Range	Aspire	Colour:	White		
Outlet	Horizontal	Material:	Ceramic - Vitreous China		
Technical Details:	Diameter of the tap hole 35 ϕ +2 -1 mm,	BOM doc.NO.	ESW/02/2018/021		ESW/02/2018/016
	ID of waste outlet hole 45 ϕ +2 -1 mm	Horizontal distance between the center line of the tap hole and the center line of the waste outlet hole \leq 112mm			

ARTICLE NAME: WALL HUNG BASIN

TECHNICAL DIMENSIONS

PRODUCT DIMENSIONS

Length (mm)	Width (mm)	Height (mm)	Net weight (kg)	USP
505	410	810	19	With Tap Hole, Packed with Overflow Hole Cap and Fixing Accessories

ACCESSORIES PROVIDED

Overflow hole Cap	ZPS-WHT-9012
Rag bolt	ZPS-MST-RB03

CARE AND CLEANING GUIDELINES

- ★ Vitreous china sanitary ware products are fragile in nature and need to be handled with care (to avoid personal injury) at all times during its storage, handling, installation and use thereafter.
- ★ The product is heavy and it is recommended that two persons hold it while it is being fixed.
- ★ Carefully inspect the new product for damage before installation.
- ★ Risk of product damage. Over tightening may cause breakage or chipping of vitreous china.
- ★ Risk of external leakage. Do not lift or rock the bowl after placement.
- ★ Always test your cleaning solution on an inconspicuous area on the product before applying it to the entire surface.
- ★ Do not allow cleaners to sit or soak on the product.
- ★ Use a soft, dampened sponge or cloth to clean. Never use abrasive material like a bristle brush or scouring pad.
- ★ Wipe surfaces clean and rinse completely with water immediately after applying cleaners.
- ★ Clean Chrome, stainless steel surfaces once a week. Do not use cleaners containing chloride on chrome, stainless steel. If used, rinse the surface immediately to prevent corrosion.
- ★ Wherever chrome plating is used on the products, use only warm water to clean and then dry with a soft cloth.

CERTIFICATION

Compliance : IS 2556.4:2004, IS 2556.1:1994, BS EN 14688 :2015/CE

All technical dimensions are in accordance to British standards, Bureau of Indian Standards


PACKAGING DETAIL

Length (mm)	Width (mm)	Height (mm)	Gross Weight(kg)	Length (mm)	Width (mm)	Height (mm)	no of pieces on pallet	
Basin	510	430	200	12	1140	1140	2285	52
Pedestal	675	205	200	8	1140	1140	2285	64



Prepared By Designer Date	Controlled By Quality control	Verified By Product Manager	Approved By Sanitaryware Head
Revision/Version	1	Plotter Updated on	Month
		07-Jul	Year
			2018