



# ECS-WHT-751S220NPPZ

## SPECIFICATION DATA SHEET

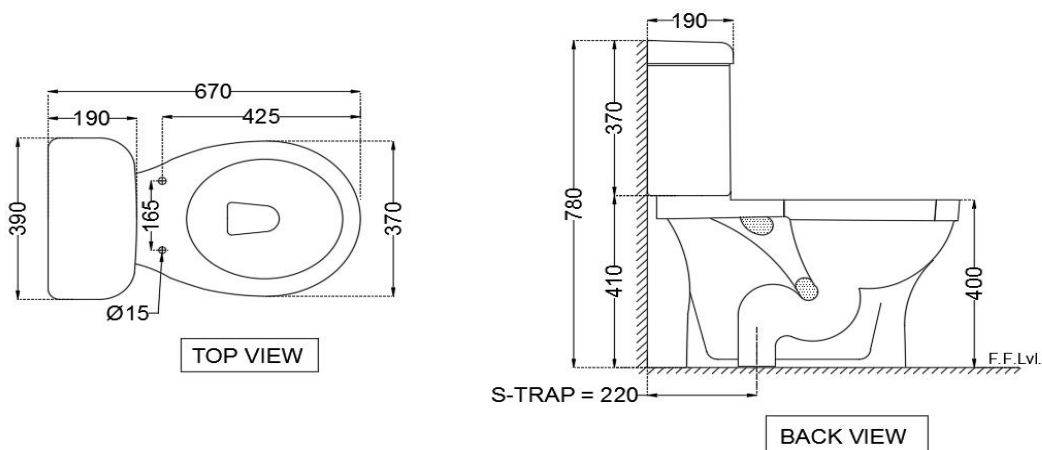
### PRODUCT DETAILS

<b>Manufacturer :</b>	ESSCO	<b>Type:</b>	Complete Set For Coupled WC ( S-Trap )
<b>Colour:</b>	White	<b>Outlet</b>	Vertical
<b>Technical Details:</b>	External diameter of outlet hole dia. $\varnothing 100 \pm 5$ mm	<b>Material:</b>	Ceramic - Vitreous China
	Horizontal distance between the wall line and the centre line of the waste outlet hole $\leq 220$ mm		

### PRODUCT IMAGE



### TECHNICAL DRAWING



<b>Product Dimension</b>	390x670x780 mm	<b>FEATURES</b>  Combined packing of Bowl & Cistern, Efficient Flushing, DualFlushing - 3/6 LPF, Anti germ glaze, Trap glaze,
<b>Trap Distance</b>	S Trap - 220 mm	
<b>Product Weight</b>	29.5 Kg	

### ACCESSORIES INCLUDED

PP Normal Close Seat cover	ECS-WHT-109N
Floor fixing screw	ZPS-SNS-FB01
Wax Seal	ZPS-WHT-1401
Cistern	ECS-WHT-201C
Cistern Fittings	ZCF-WHT-FT003

### CERTIFICATION

All technical dimensions are in accordance to Bureau of Indian Standards

DISCLAIMER: Our every effort has been made to ensure factual accuracy, the information presented subject to changes due to requirements in different sites, markets and/or countries. All dimensions are in mm (Tolerance  $\pm 5$  MM). Jaquar reserves the right to make the necessary amendments at any time without prior notice.