



ECS-WHT-551SNPP183LZ

SPECIFICATION DATA SHEET

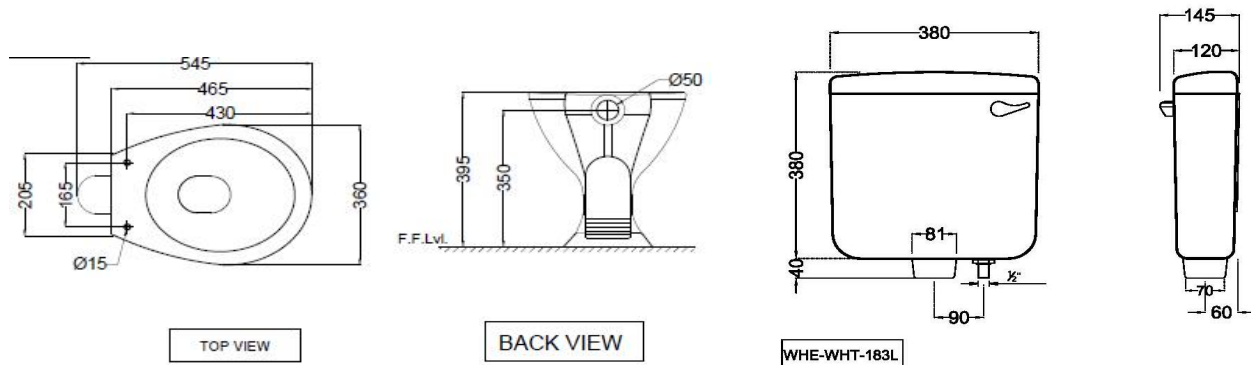
PRODUCT DETAILS

Manufacturer :	ESSCO	Type:	EWC S-Trap with Wall Hung Cistern
Colour:	White	Outlet	Vertical
Technical Details:	Internal diameter of inlet hole dia. $\varnothing 50 \pm 3$ mm	Material:	Ceramic - Vitreous China
	External diameter of outlet hole dia. $\varnothing 100 \pm 5$ mm		
	Vertical distance between the Floor and the centre line of the inlet hole ≤ 350 mm		

PRODUCT IMAGE



TECHNICAL DRAWING



Product Dimension	360x545x395 mm	FEATURES combine packing with pvc Wall Hung Cistern Convenience benefit to customer (Price + Packing),Dual Flushing - 3/6 LPF, Anti germ glaze, Trap glaze,
Trap Distance	S Trap - As per site	
Product Weight	13.5 kg	

ACCESSORIES INCLUDED

PP Normal close	ECS-WHT-109N
Fixing screw Normal	ZPS-SNS-FB01
Wall Hung Cistern	WHE-WHT-183L
Outlet Gasket	ZPS-BLK-GK02
L-type bend pipe	ZPS-WHT-LB01
Extension pipe	ZPS-WHT-EX01

CERTIFICATION

All technical dimensions are in accordance to Bureau of Indian Standards

DISCLAIMER: Our every effort has been made to ensure factual accuracy, the information presented subject to changes due to requirements in different sites, markets and/or countries. All dimensions are in mm (Tolerance ± 5 MM). Jaquar reserves the right to make the necessary amendments at any time without prior notice.