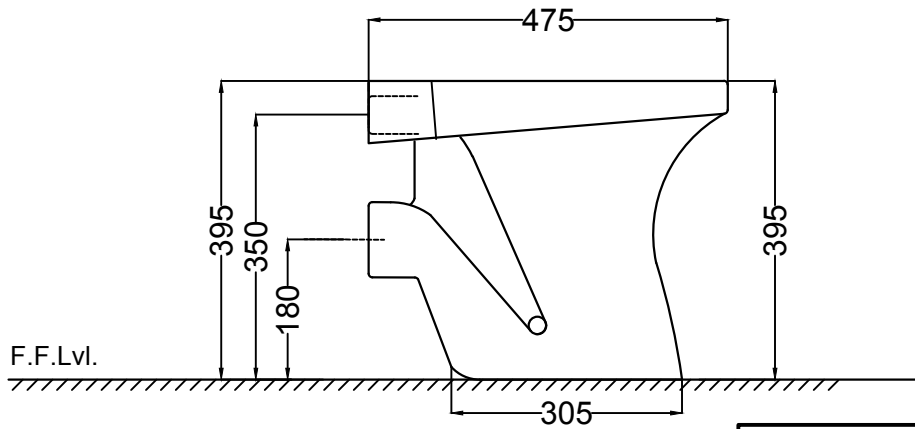
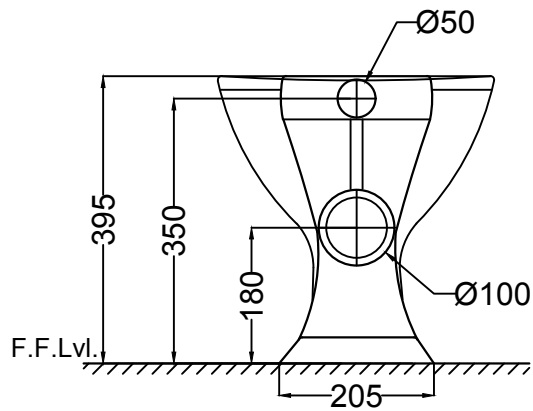


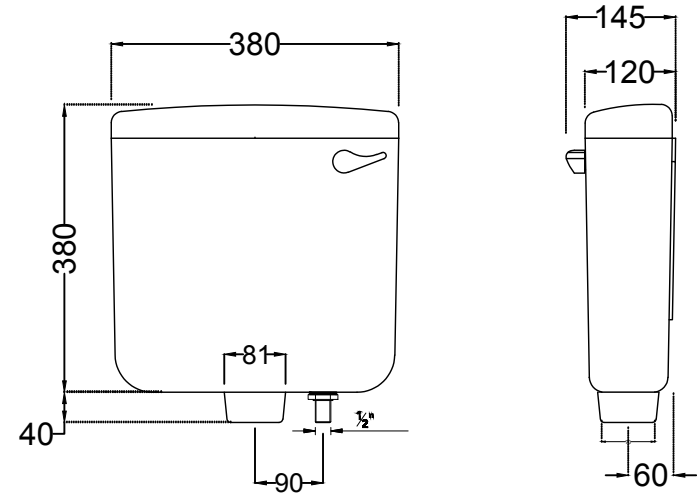
TOP VIEW



SIDE VIEW

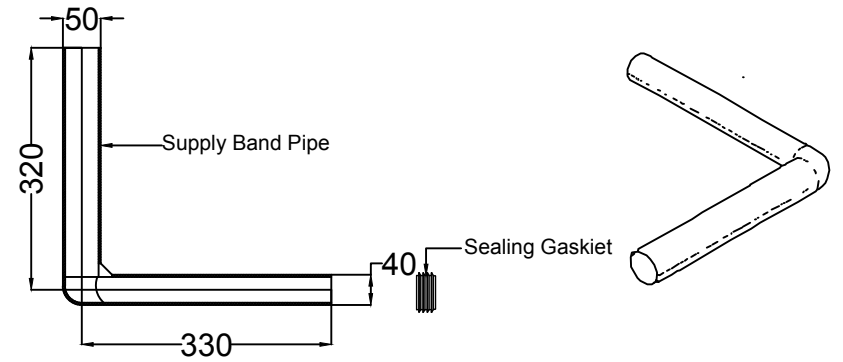


BACK VIEW



WHE-WHT-183L

Smart Single Flush Wall Hung Cistern with Drainage Pipe with Gasket & Installation kit (Suitable for EWC)



L - Bend

	Jaquar Group	
	ITEM CODE	ECS-WHT-551PNPP183LZ
	ITEM TYPE	EWC WITH WALL HUNG CISTERN
	ITEM SIZE	360x475x395 mm
Global Headquarters Plot No. 3, Sector- M-11, IMT Manesar Gurgaon, NCR - 122050, India E-mail : Sales: support@jaquar.com Customer Service : service@jaquar.com		ALL DIMENSIONS ARE IN MM. (TOLERANCE ± 5 MM)