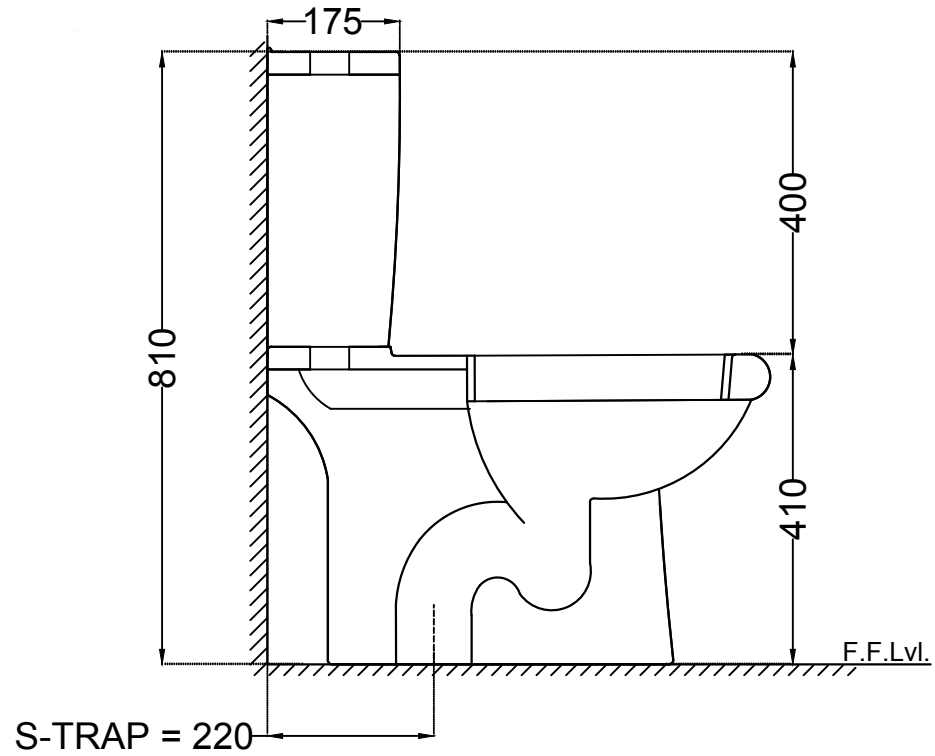


TOP VIEW



SIDE VIEW



**Jaquar Group**

Global Headquarters  
 Plot No. 3, Sector-M-11, IMT Manesar  
 Gurgaon, NCR - 122050, India  
 E-mail : [Sales: support@jaquar.com](mailto:Sales:support@jaquar.com)  
 Customer Service : [service@jaquar.com](mailto:service@jaquar.com)

ITEM CODE CMS-WHT-103751S220SPP + CMS-WHT-103201

ITEM TYPE COUPLED WC S-TRAP 220 MM

ITEM SIZE 400x665x810 mm

ALL DIMENSIONS ARE IN MM. (TOLERANCE ± 5 MM)