



CMS-WHT-103751P180SPP + CMS-WHT-103201

SPECIFICATION DATA SHEET

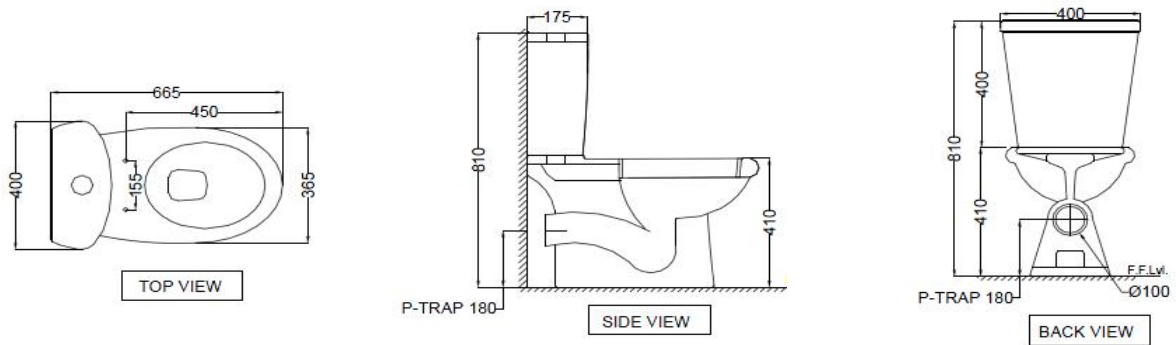
PRODUCT DETAILS

Manufacturer :	ESSCO	Type:	Coupled WC (P-Trap)
Colour:	White	Outlet	Horizontal
Technical Details:	External diameter of outlet hole dia. $\varnothing 100 \pm 5$ mm	Material:	Ceramic - Vitreous China
	Vertical distance between the Floor and the centre line of the waste outlet hole ≤ 180 mm		

PRODUCT IMAGE



TECHNICAL DRAWING



Product Dimension	400x665x810 mm	FEATURES Trap glazed, Packed with Accessories, Dual Flushing - 3/6 LPF, Anti germ glaze.
Trap Distance	P Trap - 180 mm	
Product Weight	32.0 kg	

ACCESSORIES INCLUDED

PP Soft Close Seat cover	CMS-WHT-101S
Floor fixing screw	ZPS-SNS-FB01
Cistern Fittings	ZCF-WHT-FT003

CERTIFICATION

All technical dimensions are in accordance to Bureau of Indian Standards

DISCLAIMER: Our every effort has been made to ensure factual accuracy, the information presented subject to changes due to requirements in different sites, markets and/or countries. All dimensions are in mm (Tolerance ± 5 MM). Jaquar reserves the right to make the necessary amendments at any time without prior notice.