

SPECIFICATION DATA SHEET

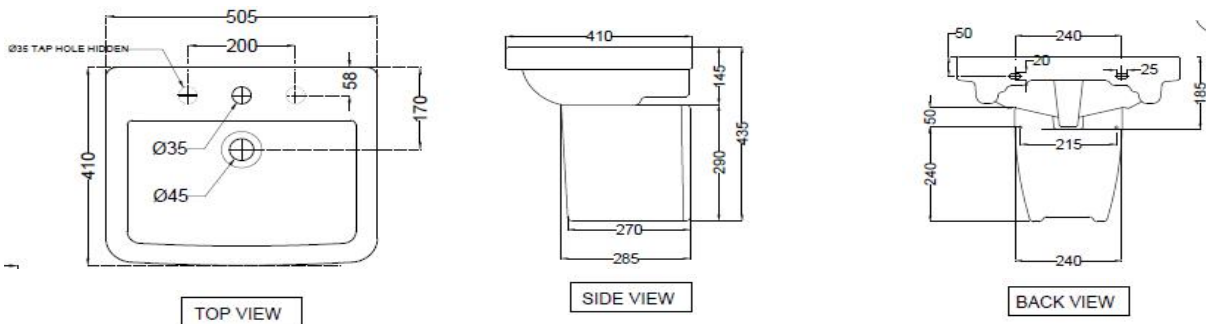
PRODUCT DETAILS

Manufacturer :	ESSCO	Type:	Wall Hung Basin
Outlet	Vertical	Colour:	White
Technical Details:	Tap hole dia. $\varnothing 35 \pm 2$ mm	Material:	Ceramic - Vitreous China
	ID of waste outlet hole dia. $\varnothing 45 \pm 3$ mm Horizontal distance between the center line of the tap hole and the center line of the waste outlet hole ≤ 112 mm		

PRODUCT IMAGE



TECHNICAL DRAWING



Product Dimension	505x410x185 mm With pedestal 435 mm	FEATURES With Tap Hole & Over flow hole, Packed with Accessories , Anti germ glaze
Basin Inner Dimension	425X260X140 mm	
Product Weight	12 kg	
ACCESSORIES INCLUDED		
Overflow hole Cap		ZPS-WHT-9012
Basin fixing screw		ZPS-MST-RB03
Fixing Screw For Half Pedestal		ZPS-MST-FB05

CERTIFICATION

All technical dimensions are in accordance to Bureau of Indian Standards

DISCLAIMER: Our every effort has been made to ensure factual accuracy, the information presented subject to changes due to requirements in different sites, markets and/ or countries. All dimensions are in mm (Tolerance ± 5 MM). Jaquar reserves the right to make the necessary amendments at any time without prior notice.