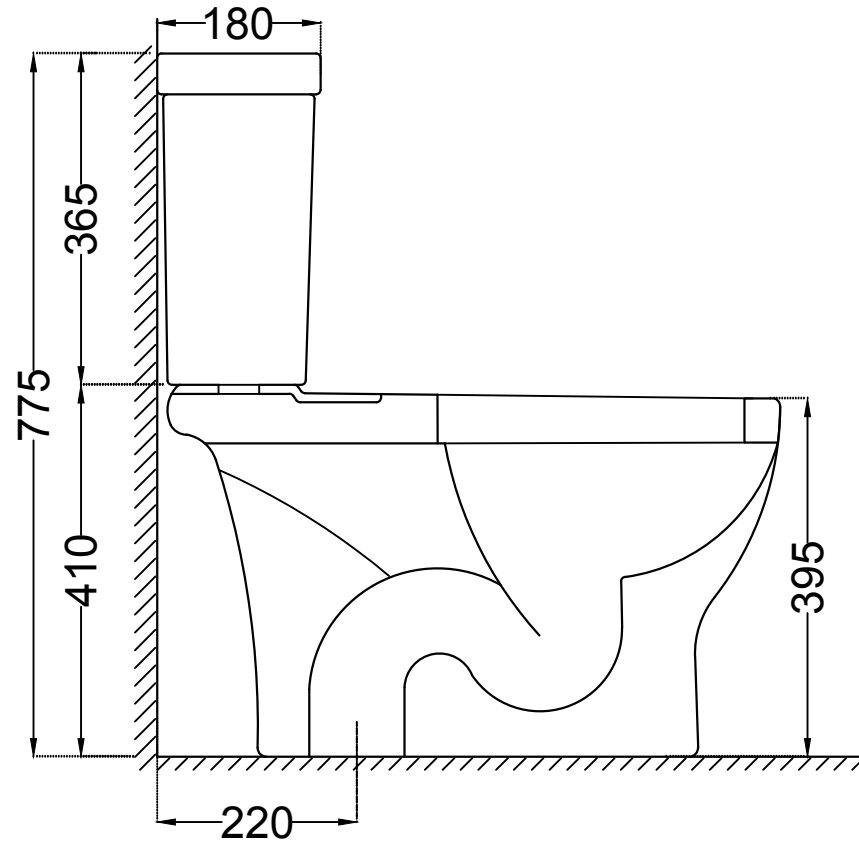


TOP VIEW



SIDE VIEW

 ESSCO BY Jaquar GROUP	Jaquar Group Global Headquarters Plot No. 3, Sector- M-11, IMT Manesar Gurgaon, NCR - 122050, India E-mail : Sales.support@jaquar.com Customer Service : service@jaquar.com		ITEM CODE	AIS-WHT-101751S220SPPSMZ
	ITEM TYPE	COUPLED WC S-TRAP 220 MM		
	ITEM SIZE	395x680x775 mm		
	ALL DIMENSIONS ARE IN MM. (TOLERANCE ± 5 MM)			