



## AIS-WHT-101351SPPSMZ

### SPECIFICATION DATA SHEET

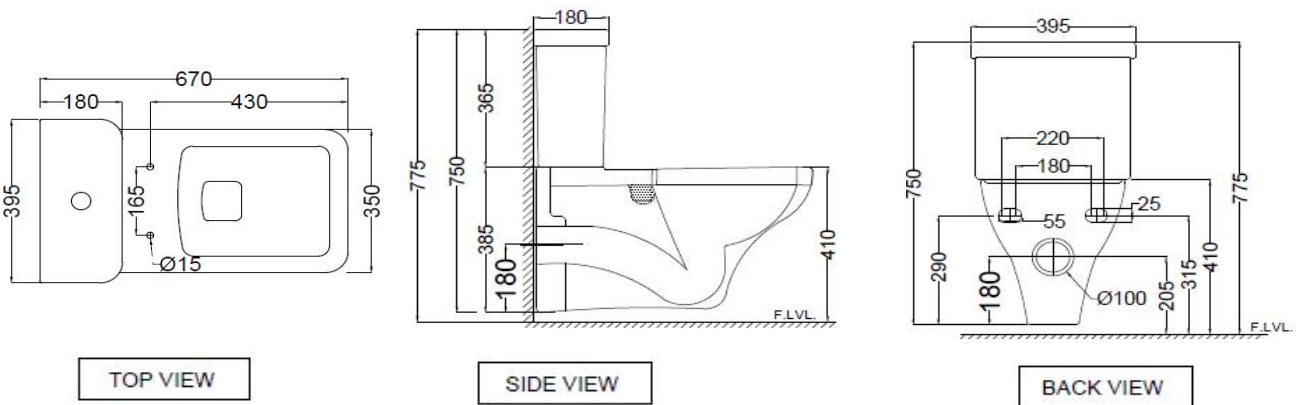
#### PRODUCT DETAILS

<b>Manufacturer :</b>	ESSCO	<b>Type:</b>	Complete Set For Extended Wall Hung WC
<b>Colour:</b>	White	<b>Outlet</b>	Horizontal
<b>Technical Details:</b>	External diameter of outlet hole dia. $\varnothing 100 \pm 5$ mm	<b>Material:</b>	Ceramic - Vitreous China
	Vertical distance between the Floor and the centre line of the waste outlet hole $\leq 205$ mm		

#### PRODUCT IMAGE



#### TECHNICAL DRAWING



<b>Product Dimension</b>	395x670x750 mm	<b>FEATURES</b>  Complete Trap Glaze, Combind Packed with slim seat cover and Accessories ,Dual Flushing - 3/6 LPF, Anti germ glaze.
<b>Trap Distance</b>	P-Trap - 205 mm	
<b>Product Weight</b>	33.4 kg	
<b>ACCESSORIES INCLUDED</b>		
PP soft close seat cover		AIS-WHT-103S
Outlet gasket		ZPS-BLK-GK02
Cistern		AIS-WHT-101201C
Cistern Fittings		ZCF-WHT-FT003
<b>ACCESSORIES EXCLUDED</b>		
Rag bolt		ZPS-SNS-RB01 & ZPS-MST-RB02
<b>CERTIFICATION</b>		

**All technical dimensions are in accordance to Bureau of Indian Standards**

DISCLAIMER: Our every effort has been made to ensure factual accuracy, the information presented subject to changes due to requirements in different sites, markets and/or countries. All dimensions are in mm (Tolerance  $\pm 5$  MM). Jaquar reserves the right to make the necessary amendments at any time without prior notice.

---