



CMS-WHT-103751S220SPP + CMS-WHT-103201

SPECIFICATION DATA SHEET

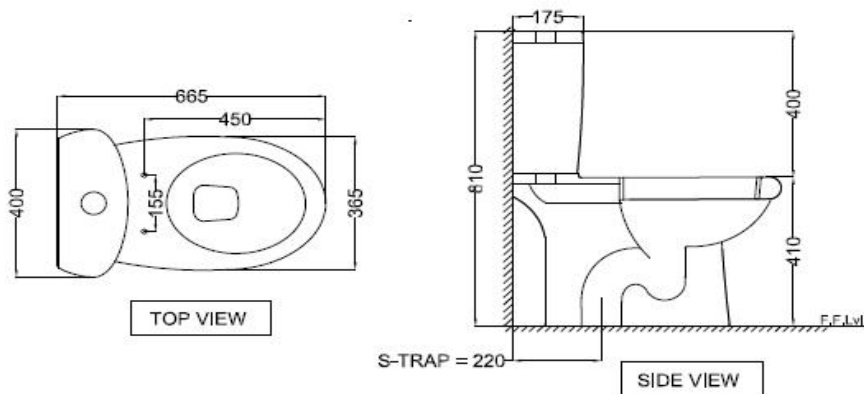
PRODUCT DETAILS

Manufacturer :	ESSCO	Type:	Coupled WC (S-Trap)
Colour:	White	Outlet	Vertical
Technical Details:	External diameter of outlet hole dia. \varnothing 100 \pm 5 mm	Material:	Ceramic - Vitreous China
	Horizontal distance between the wall line and the centre line of the waste outlet hole \leq 220 mm		

PRODUCT IMAGE



TECHNICAL DRAWING



Product Dimension	400x665x810 mm	FEATURES Complete Trap Wash, Packed with Accessories Anti germ glaze.
Trap Distance	S Trap - 220 mm	
Product Weight	32.0 kg	

ACCESSORIES INCLUDED

PP Soft Close Seat cover	CMS-WHT-101S
Floor fixing screw	ZPS-SNS-FB02
Wax Seal	ZPS-WHT-1401
Cistern Fittings	ZCF-WHT-FT003

CERTIFICATION

Compliance : IS 2556.2:2004, IS 2556.1:1994 , EN 997 :2012+A1, BS EN 14124:2004/CE

All technical dimensions are in accordance to British standards, Bureau of Indian Standards



DISCLAIMER: Our every effort has been made to ensure factual accuracy, the information presented subject to changes due to requirements in different sites, markets and/ or countries. All dimensions are in mm (Tolerance \pm 5 MM). Jaquar reserves the right to make the necessary amendments at any time without prior notice.