



# AIS-WHT-101751S220NPPSMZ

## SPECIFICATION DATA SHEET

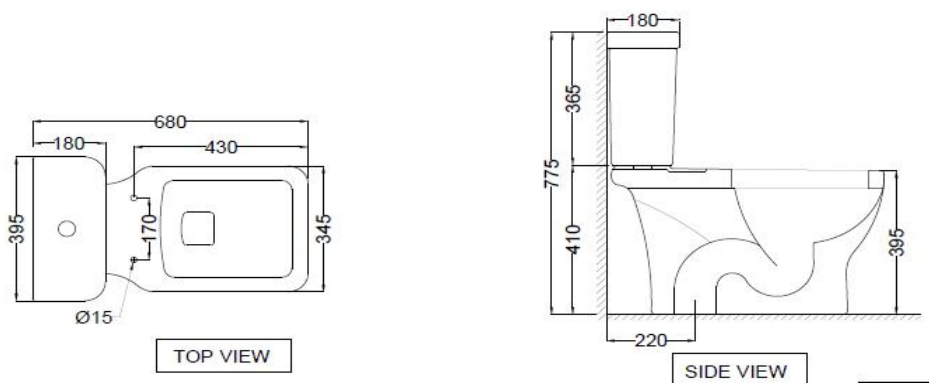
### PRODUCT DETAILS

<b>Manufacturer :</b>	ESSCO	<b>Type:</b>	Complete Set For Coupled WC ( S-Trap )
<b>Colour:</b>	White	<b>Outlet</b>	Vertical
<b>Technical Details:</b>	External diameter of outlet hole dia. $\varnothing 100 \pm 5$ mm	<b>Material:</b>	Ceramic - Vitreous China
	Horizontal distance between the wall line and the centre line of the waste outlet hole $\leq 220$ mm		

### PRODUCT IMAGE



### TECHNICAL DRAWING



<b>Product Dimension</b>	395x680x775 mm	<b>FEATURES</b>  Combind packing, Complete Trap Glaze, slim seat cover, Anti germ glaze.
<b>Trap Distance</b>	S Trap - 220 mm	
<b>Product Weight</b>	32.0 kg	

### ACCESSORIES INCLUDED

PP normal close slim seat cover	AIS-WHT-103N
Floor fixing screw	ZPS-SNS-FB01
Wax Seal	ZPS-WHT-1401
Cistern	AIS-WHT-101201C
Cistern Fittings	ZCF-WHT-FT003

### CERTIFICATION

**Compliance :** IS 2556.2:2004, IS 2556.1:1994 , EN 997 :2012+A1, BS EN 14124:2004/CE  
**All technical dimensions are in accordance to British standards, Bureau of Indian Standards**



**DISCLAIMER:** Our every effort has been made to ensure factual accuracy, the information presented subject to changes due to requirements in different sites, markets and/or countries. All dimensions are in mm (Tolerance  $\pm 5$  MM). Jaquar reserves the right to make the necessary amendments at any time without prior notice.