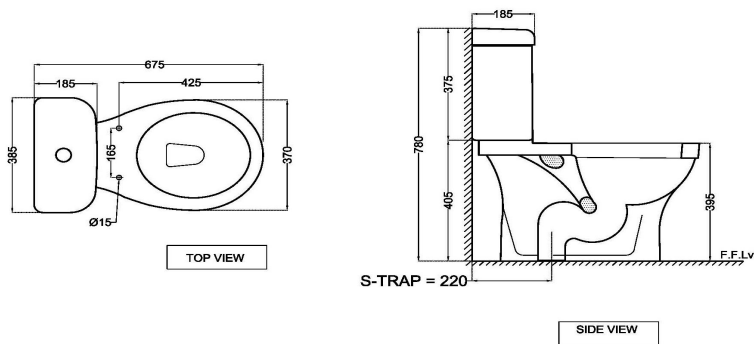


SPECIFICATION DATA SHEET
PRODUCT DETAILS

Manufacturer :	ESSCO	Type:	Complete Set For Coupled WC (S trap)
Range	ESSCO	Outlet	Horizontal
Colour:	White	Material:	Ceramic - Vitreous China
Technical Details:	External diameter of outlet \varnothing 100 +5 -2 mm	BOM doc.NO.	ESW/01/2020/067
Horizontal distance between the Wall and the centre line of the waste outlet hole \leq 220 mm			

ARTICLE NAME: COMPLETE SET COUPLED WC

TECHNICAL DIMENSIONS

PRODUCT DIMENSIONS

Length (mm)	Width (mm)	Height (mm)	Net weight (kg)	USP
385	675	780	28.5	Packed with Wax Seal, Floor Fixing Screws(Packed with Cistern Fittings)

ACCESSORIES PROVIDED

PP Normal Close Seat cover	ECS-WHT-111N
Floor fixing screw	ZPS-SNS-FB01
Wax Seal	ZPS-WHT-1401
Cistern	ECS-WHT-201
Cistern Fittings	ZCF-WHT-FT003

CARE AND CLEANING GUIDELINES

- ★ Vitreous china sanitary ware products are fragile in nature and need to be handled with care (to avoid personal injury) at all times during its storage, handling, installation and use thereafter.
- ★ The product is heavy and it is recommended that two persons hold it while it is being fixed.
- ★ Carefully inspect the new product for damage before installation.
- ★ Risk of product damage. Over tightening may cause breakage or chipping of vitreous china.
- ★ Risk of external leakage. Do not lift or rock the bowl after placement.
- ★ Always test your cleaning solution on an inconspicuous area on the product before applying it to the entire surface.
- ★ Do not allow cleaners to sit or soak on the product.
- ★ Use a soft, dampened sponge or cloth to clean. Never use abrasive material like a bristle brush or scouring pad.
- ★ Wipe surfaces clean and rinse completely with water immediately after applying cleaners.
- ★ Clean Chrome, stainless steel surfaces once a week. Do not use cleaners containing chloride on chrome, stainless steel. If used, rinse the surface immediately to prevent corrosion.
- ★ Wherever chrome plating is used on the products, use only warm water to clean and then dry with a soft cloth.

CERTIFICATION

Compliance : IS 2556.2:2004, IS 2556.1:1994 , EN 997 :2012+A1, BS EN 14124:2004/CE
All technical dimensions are in accordance to British standards, Bureau of Indian Standards


PACKAGING DETAIL
LOADING PALLET DETAIL

Length (mm)	Width (mm)	Height (mm)	Gross Weight(kg)	Length (mm)	Width (mm)	Height (mm)	no of pieces on pallet
860	430	415	42.7	1140	1140	2285	16



Prepared By Designer Date	Controlled By Quality control	Verified By Product Manager	Approved By Sanitaryware Head
Revision/Version	1	Plotter Updated on	Month 18-Jan Year 2020