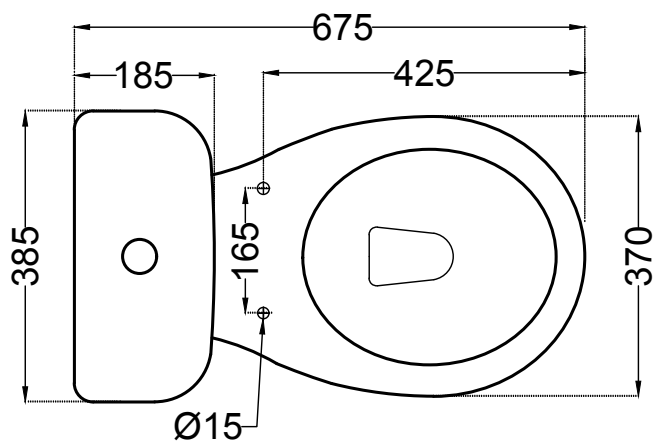
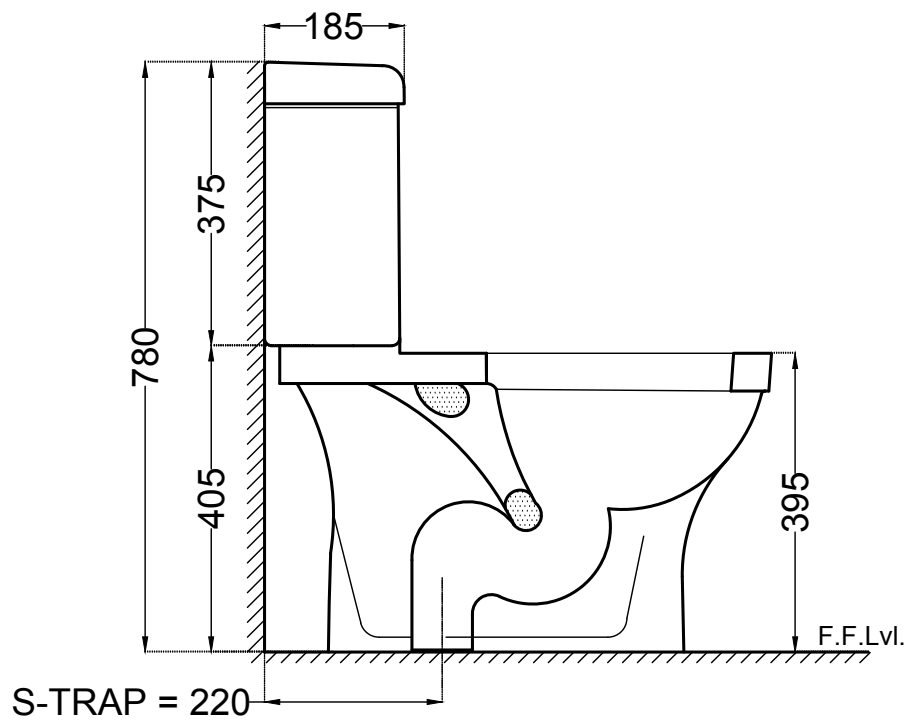


ECS-WHT-751S220NPPZ



TOP VIEW



BACK VIEW

ALL DIMENSIONS ARE IN MM.  
(TOLERANCE ± 5 MM)